

VCD 203 drive



Performance features

- » For façade windows, roof windows and ventilation flaps in conservatories
- » With motor electronics controlled via microprocessor
- » "TMS+" tandem safety function (combines TMS and BRV message) for operating 2 drives on one sash
- » Option of chain stroke programming via magnet
- » Reprogrammed opening stroke is transmitted to the tandem drive
- » Simple connection via plug connector
- » Programmable drive functions and different drive parameters
- » Running speed in CLOSED direction decreases to 5 mm/s (passive closing edge protection)
- » Time-controlled reversing when an obstacle is detected in the CLOSED direction (active closing edge protection)

Accessories

Brackets



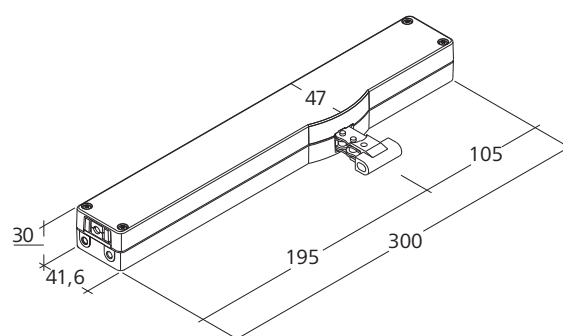
Cables



Technical data

Supply	24 V DC / $\pm 20\%$ / 0.35 A
Duty cycle	30 %
Force of pressure	200 N
Tensile force	150 N
Nominal locking force	2000 N
Stroke	250 mm
Service life	> 10000 double strokes
OPEN running speed	6 mm/s
CLOSED running speed	6 mm/s
Type of protection	IP 30
Temperature range	0 °C ... +60 °C
Housing	Die-cast zinc
Surface	Powder-coated
W x H x (D) in mm	300 x 30 x 47
Connection	2.5 m PVC-cable
Weight	1.40 kg

Dimensions



All specifications in mm

Design

Type	Art. No.	Colour	Remark
VCD 203/250 (SR)	25.150.05	Silver (~ RAL 9006)	
VCD 203/250 (WH)	25.150.06	White (~ RAL 9016)	
VCD 203/250 (BK)	25.150.07	Black (~ RAL 9005)	
VCD 203-PLP	25.150.00		Variable equipment possible