

KA-PLP



Performance features

- » Can be used for openings for smoke exhaust; D+H Euro SHEV in accordance with EN 12101-2; and for daily ventilation
- » With motor electronics controlled via microprocessor
- » High-speed function (HS) for especially fast opening windows in case of fire (SHEV)
- » Special chain stabilisation
- » Pressure applications up to 700 mm (KA 34) / 600 mm (KA 54), application tension stroke lengths >1000 mm possible
- » Relief of pressure on window gasket after closing process
- » Programmable drive functions and different drive parameters
- » Running speed in CLOSED direction decreases to 5 mm/s (passive closing edge protection)
- » Time-controlled reversing when an obstacle is detected in the CLOSED direction (active closing edge protection)

Approvals / Certificates

Find out about permission details from your D+H Partner



G 503007



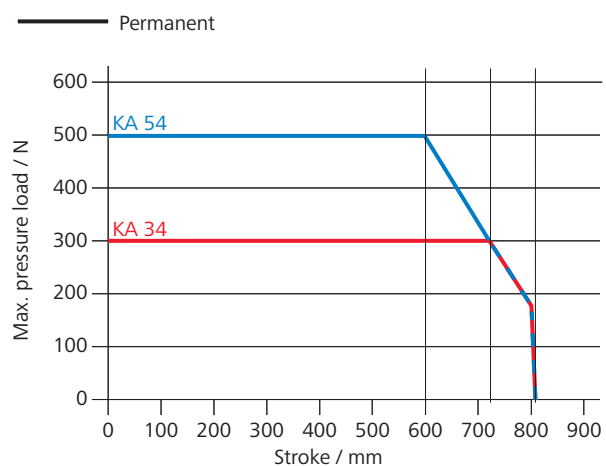
5014068.18005-1



Article also available with the following permissions under other article numbers. Technical data may deviate.



Pressure load diagram



Technical data

	KA 34	KA 54
Supply	24 V DC / ±15 % / 1 A	24 V DC / ±15 % / 1.4 A
Duty cycle	30 % (ON: 3 min. / OFF: 7 min.)	
Force of pressure	300 N	500 N
Tensile force	300 N	500 N
Nominal locking force	2000 N	
Service life	20000 double strokes *	
Stroke	350 mm - 1300 mm	
OPEN running speed	11.8 mm/s	
OPEN running speed - SHEV	12.2 mm/s	13.3 mm/s
CLOSED running speed	11.8 mm/s	
Type of protection	IP 32	
Emission sound pressure level	LpA ≤ 70 dB(A)	
Temperature range	-5 °C ... +75 °C	
Fire resistance	B300 (30 min / 300 °C)	
Housing	Aluminium	
Surface	Powder-coated	
Colour	White aluminium (~ RAL 9006)	
Connection	2.5 m silicone cable	
Dimension A	421 - 902 mm	

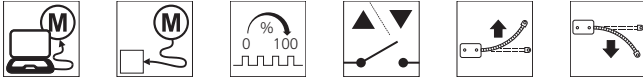
For an illustration of the dimensions, see the next page.

* For vertical use, please consult with D+H Sales!

KA-PLP

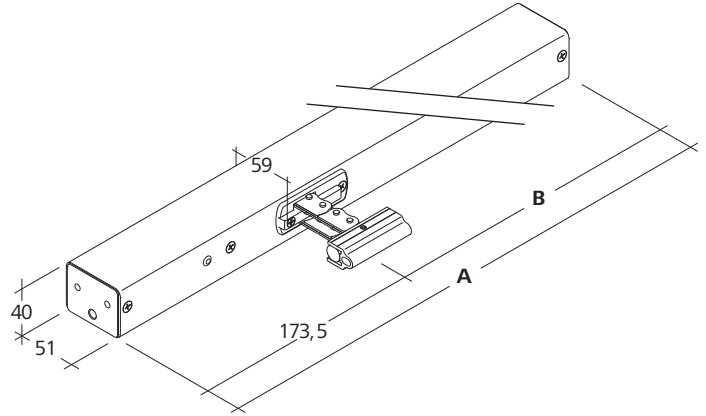
Potential drive options

You can find the explanations for the icons on the last page



Dimensions

All specifications in mm



Design

Type	Art. No.	Stroke	Dimension A	Dimension B	Weight	Remark
KA 34/350	26.000.10	350 mm	421 mm	247.5 mm	1.60 kg	
KA 34/500	26.000.15	500 mm	496 mm	322.5 mm	1.90 kg	
KA 34/600	26.000.20	600 mm	546 mm	372.5 mm	2.20 kg	
KA 34/700	26.000.25	700 mm	596 mm	422.5 mm	2.40 kg	
KA 34/800	26.000.30	800 mm	646 mm	472.5 mm	2.60 kg	Observe pressure load diagram!
KA 34/1000	26.000.35	1000 mm	750 mm	576.5 mm	3.00 kg	Observe pressure load diagram!
KA 54/350	26.001.10	350 mm	421 mm	247.5 mm	1.60 kg	
KA 54/500	26.001.15	500 mm	496 mm	322.5 mm	1.90 kg	
KA 54/600	26.001.20	600 mm	546 mm	372.5 mm	2.20 kg	
KA 54/800	26.001.30	800 mm	646 mm	472.5 mm	2.60 kg	Observe pressure load diagram!
KA-PLP	26.000.00					Variable equipment possible

Brackets are not included and have to be ordered separately; suitable brackets starting on page 316

Possible applications

Illustration provided as an example



- » Mounted installation
- » Sash mounting
- » Frame mounting
- » Application force
- » Application tension
- » Drawbridge application

1

2

3

4

5

6

7

8

9

10

11

12

13

14

15

16

17

18

19