

KA-K



Performance features

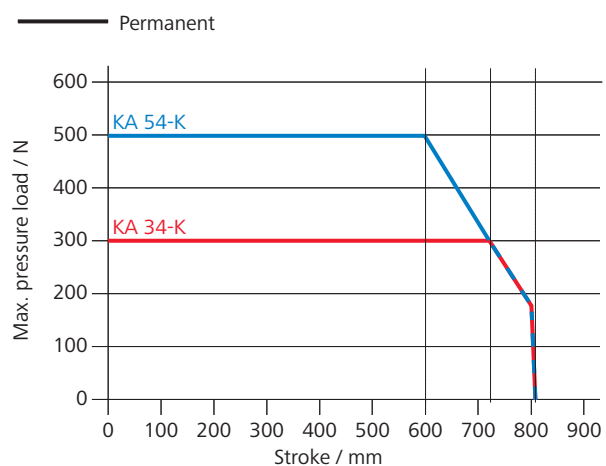
- » Can be used for openings for smoke exhaust; D+H Euro SHEV in accordance with EN 12101-2; and for daily ventilation
- » With motor electronics controlled via microprocessor
- » Direct control via 230 V AC
- » Special chain stabilisation
- » Relief of pressure on window gasket after closing process
- » Pressure applications up to 700 mm (KA 34) / 600 mm (KA 54), application tension stroke lengths >1000 mm possible
- » Easy window control via 230 V AC ventilation button
- » Adjustable electronic closing force optimisation
- » Running speed in CLOSED direction decreases to 5 mm/s (passive closing edge protection)
- » Time-controlled reversing when an obstacle is detected in the CLOSED direction (active closing edge protection)

Approvals / Certificates

Find out about permission details from your D+H Partner



Pressure load diagram



Technical data

	KA 34-K	KA 54-K
Supply	230 V AC / +10 % ... -15 %	
Input frequency	50 Hz	
Performance	24 W / 40 VA	32 W / 52 VA
Duty cycle	30 % (ON: 3 min. / OFF: 7 min.)	
Force of pressure	300 N	500 N
Tensile force	300 N	500 N
Nominal locking force	2000 N	
Service life	20000 double strokes *	
Stroke	350 mm - 1300 mm	
OPEN running speed	12.1 mm/s	13.3 mm/s
CLOSED running speed	11.8 mm/s	
Type of protection	IP 32	
Emission sound pressure level	LpA ≤ 70 dB(A)	
Temperature range	-5 °C ... +75 °C	
Housing	Aluminium	
Surface	Powder-coated	
Colour	White aluminium (~ RAL 9006)	
Connection	2.5 m silicone cable	
Dimension A	560 - 1041 mm	

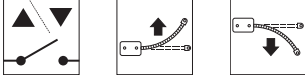
For an illustration of the dimensions, see the next page.

* For vertical use, please consult with D+H Sales!

KA-K

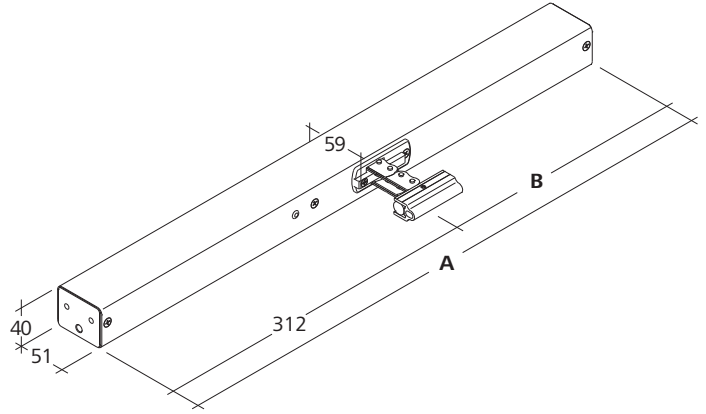
Potential drive options

You can find the explanations for the icons on the last page



Dimensions

All specifications in mm



Design

Type	Art. No.	Stroke	Dimension A	Dimension B	Weight	Remark
KA 34/350-K	26.005.10	350 mm	560 mm	248 mm	1.80 kg	
KA 34/500-K	26.005.15	500 mm	635 mm	323 mm	2.10 kg	
KA 34/600-K	26.005.20	600 mm	685 mm	373 mm	2.40 kg	
KA 34/800-K	26.005.30	800 mm	785 mm	473 mm	2.80 kg	Observe pressure load diagram!
KA 34/1000-K	26.005.35	1000 mm	889 mm	577 mm	3.20 kg	Observe pressure load diagram!
KA 54/350-K	26.002.05	350 mm	560 mm	248 mm	1.80 kg	
KA 54/500-K	26.002.10	500 mm	635 mm	323 mm	2.10 kg	
KA 54/600-K	26.002.15	600 mm	685 mm	373 mm	2.40 kg	
KA-K	26.005.00					Variable equipment possible

Brackets are not included and have to be ordered separately; suitable brackets starting on page 316

Possible applications

Illustration provided as an example



- » Mounted installation
- » Sash mounting
- » Frame mounting
- » Application force
- » Application tension
- » Drawbridge application

1

2

3

4

5

6

7

8

9

10

11

12

13

14

15

16

17

18

19

20