

# KA-BSY+



BSY+ set consisting of: Standard + left-hand "L" drive

## Performance features

- » Can be used for openings for smoke exhaust; D+H Euro SHEV in accordance with EN 12101-2; and for daily ventilation
- » With integrated BSY+ motor and synchronised electronics controlled via microprocessor
- » High-speed function (HS) for especially fast opening windows in case of fire (SHEV)
- » Option of up to 8 drives in one synchronous group
- » Supply and signals at KA 34-BSY+ for up to 3 drives (KA 54-BSY+ up to 2 drives) can be looped in series
- » Special chain stabilisation
- » Relief of pressure on window gasket after closing process
- » Programmable drive functions and different drive parameters
- » Running speed in CLOSED direction decreases to 5 mm/s (passive closing edge protection)
- » Time-controlled reversing when an obstacle is detected in the CLOSED direction (active closing edge protection)

## Approvals / Certificates

Find out about permission details from your D+H Partner



G 503007



5014068.18005-1

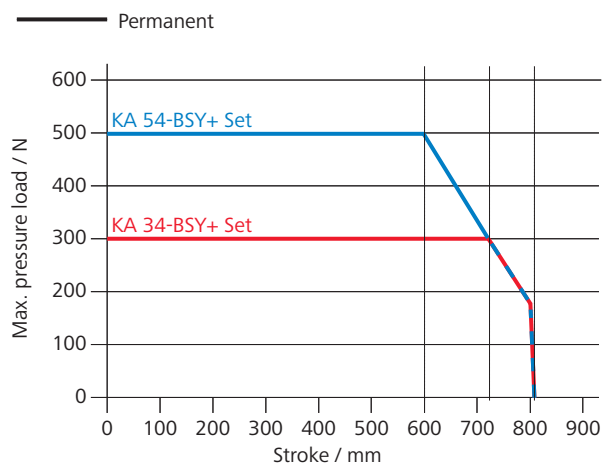


Article also available with the following permissions under other article numbers. Technical data may deviate.



# Pressure load diagram

Specification per drive



# Technical data

Specification per drive

	KA 34-BSY+ Set	KA 54-BSY+ Set
Supply	24 V DC / ±15 % / 1 A	24 V DC / ±15 % / 1.4 A
Duty cycle	30 % (ON: 3 min. / OFF: 7 min.)	
Force of pressure	300 N	500 N
Tensile force	300 N	500 N
Nominal locking force	2000 N	
Service life	20000 double strokes *	
Stroke	350 mm - 1300 mm	
OPEN running speed	11.8 mm/s	
OPEN running speed - SHEV	12.2 mm/s	13.3 mm/s
CLOSED running speed	11.8 mm/s	
Type of protection	IP 32	
Emission sound pressure level	LpA ≤ 70 dB(A)	
Temperature range	-5 °C ... +75 °C	
Fire resistance	B300 (30 min / 300 °C)	
Housing	Aluminium	
Surface	Powder-coated	
Colour	White aluminium (~ RAL 9006)	
Connection	2.5 m silicone cable	
Dimension A	421 - 902 mm	

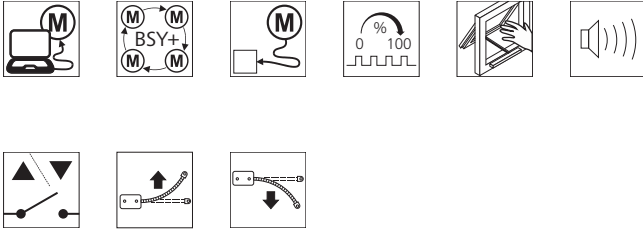
For an illustration of the dimensions, see the next page.

\* For vertical use, please consult with D+H Sales!

# KA-BSY+

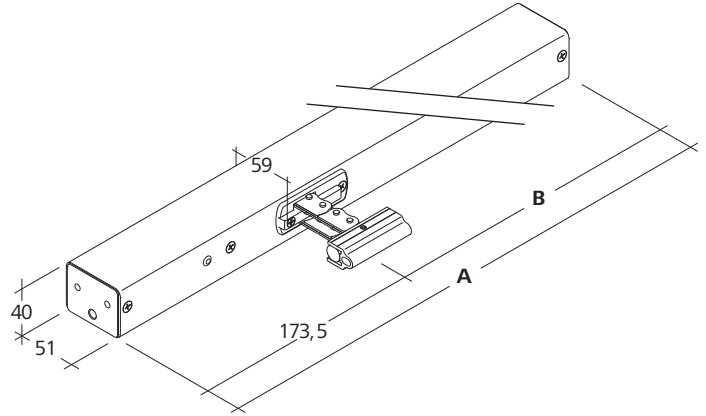
## Potential drive options

You can find the explanations for the icons on the last page



## Dimensions

All specifications in mm



## Design

Weight per drive

Type	Art. No.	Stroke	Dimension A	Dimension B	Weight	Remark
KA 34/600-BSY+ Set	26.010.20	600 mm	546 mm	372.5 mm	2.20 kg	
KA 34/700-BSY+ Set	26.010.25	700 mm	596 mm	422.5 mm	2.40 kg	
KA 34/800-BSY+ Set	26.010.30	800 mm	646 mm	472.5 mm	2.60 kg	Observe pressure load diagram!
KA 34/1000-BSY+ Set	26.010.35	1000 mm	750 mm	576.5 mm	3.00 kg	Observe pressure load diagram!
KA-BSY+	26.010.00					Variable equipment possible

Brackets are not included and have to be ordered separately; suitable brackets starting on page 316

## Possible applications

Illustration provided as an example



- » Mounted installation
- » Sash mounting
- » Frame mounting
- » Application force
- » Application tension
- » Drawbridge application

1

2

3

4

5

6

7

8

9

10

11

12

13

14

15

16

17

18

19

20