

VLD 51 drive



Performance features

- » Can be used for openings for smoke exhaust; D+H Euro SHEV in accordance with EN 12101-2; and for daily ventilation
- » For operating standard latch pane fittings
- » Connection of D+H window drives with BRV message
- » Window drives with a total current up to 2.5 A can be connected
- » Manual emergency unlocking possible
- » Configurable locking direction on the drive
- » Increased burglary protection

Accessories

Brackets



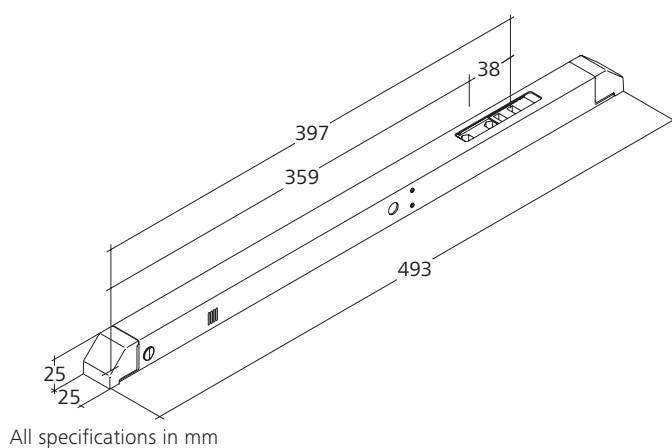
Cables



Technical data

Supply	24 V DC / $\pm 20\%$ / 1 A
Duty cycle	30 %
Locking force	500 N
Breakaway force	1000 N
Stroke	38 mm
Service life	> 10000 double strokes
OPEN running speed	4.2 mm/s
CLOSED running speed	4.2 mm/s
Type of protection	IP 50
Temperature range	-5 °C ... +50 °C
Housing	V2A stainless steel
Connection	2.5 m silicone-cable
W x H x (D) in mm	493 x 25 x 25
Weight	1.20 kg

Dimensions



Design

Type	Art. No.	Remark
VLD 51/038	23.060.50	
VLD	23.060.00	Variable equipment possible

VLD 51-BSY+ drive



Performance features

- » Can be used for openings for smoke exhaust; D+H Euro SHEV in accordance with EN 12101-2; and for daily ventilation
- » With BSY+ motor electronics controlled via microprocessor for communication and sequence control in conjunction with D+H BSY+ window opening drives
- » Up to six VLD BSY+ drives on one window possible
- » For operating standard latch pane fittings
- » Activated VP signal of the connected BSY+ opening drives
- » Programmable drive functions and different drive parameters
- » Manual emergency unlocking possible
- » Configurable locking direction on the drive
- » Increased burglary protection

Accessories

Brackets



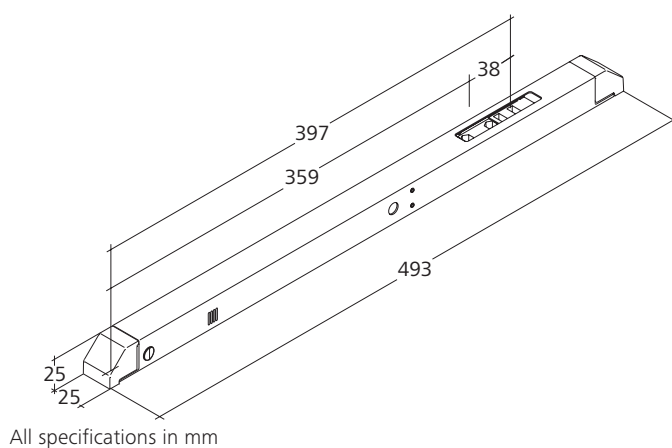
Cables



Technical data

Supply	24 V DC / $\pm 20\%$ / 1 A
Duty cycle	30 %
Locking force	500 N
Breakaway force	1000 N
Stroke	38 mm
Service life	> 10000 double strokes
OPEN running speed	3.3 mm/s
OPEN running speed - SHEV	4.2 mm/s
CLOSED running speed	3.3 mm/s
Type of protection	IP 50
Temperature range	-5 °C ... +50 °C
Housing	V2A stainless steel
Connection	2.5 m silicone-cable
W x H x (D) in mm	493 x 25 x 25
Weight	1.20 kg

Dimensions



Design

Type	Art. No.	Remark
VLD 51/038-BSY+	23.060.70	
VLD-BSY+	23.060.80	Variable equipment possible