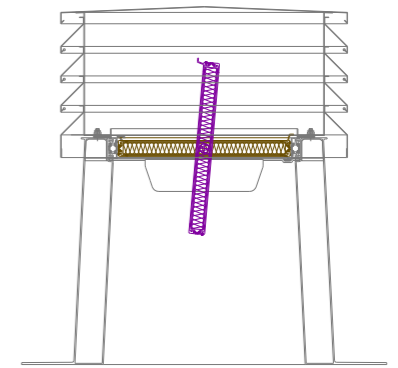
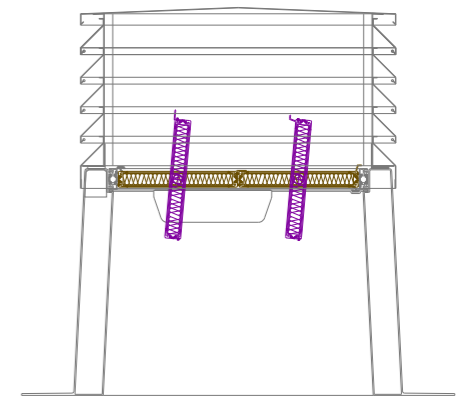


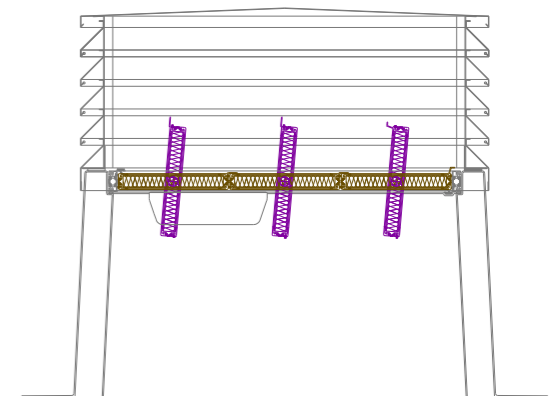
450 x 450mm - 1 blade



600 x 600mm - 2 blades

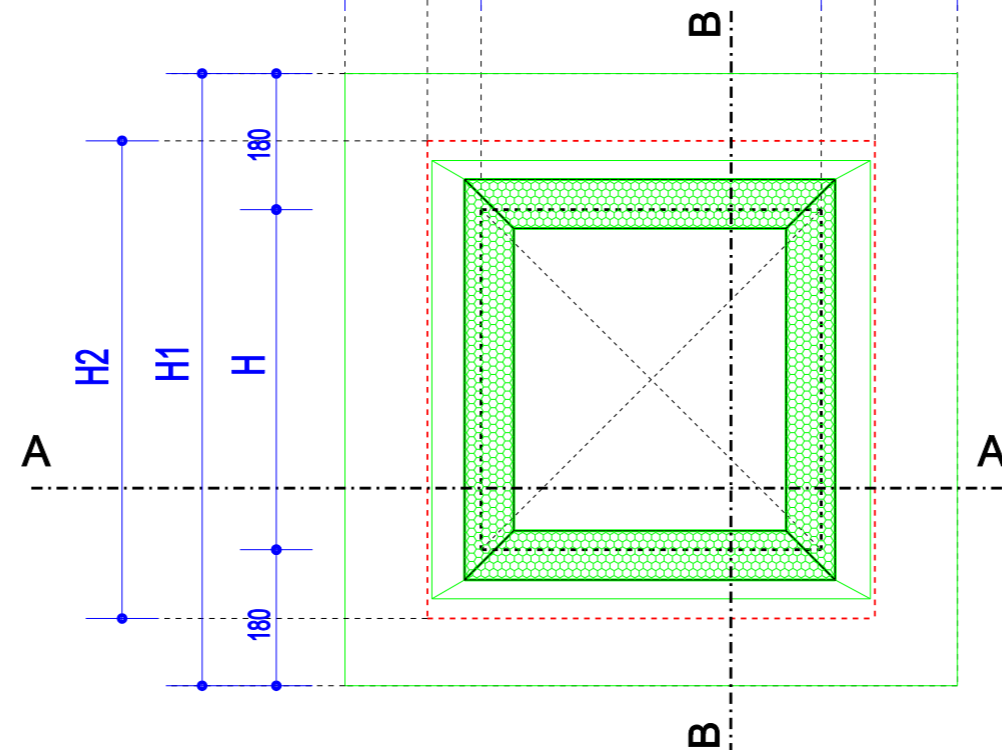


800 x 800mm - 3 blades



TF = base plate in fiberglass (GRP), louvre windows + cover with blades

TF			
Designation according to the opening dimensions (mm) B x H	450x450	600x600	800x800
Net ventilation surface (m ²)	0,10	0,20	0,39
Base plate dimensions (mm) B1 x H1	810 x 810	960 x 960	1160 x 1160
Cover dimensions (mm) B2xH2	592 x 632	650 x 695	855 x 900
Base plate height (mm) L1	500	500	500
Cover height (mm) L2	332,94	398,87	403
Thermo Flap overall height (mm) L3	789,30	855,4	859,5
Number of blades	1	2	3



Base plate in fiberglass (GRP), louvre windows + cover with blades

SCALE 1:10
DATE: 24.04.2014